

JRB Global Solutions

Tour Of Our Gearbox Manufacturer

Factory



Building





Display Room

Products



Agricultural Gearbox





Forged Pinion





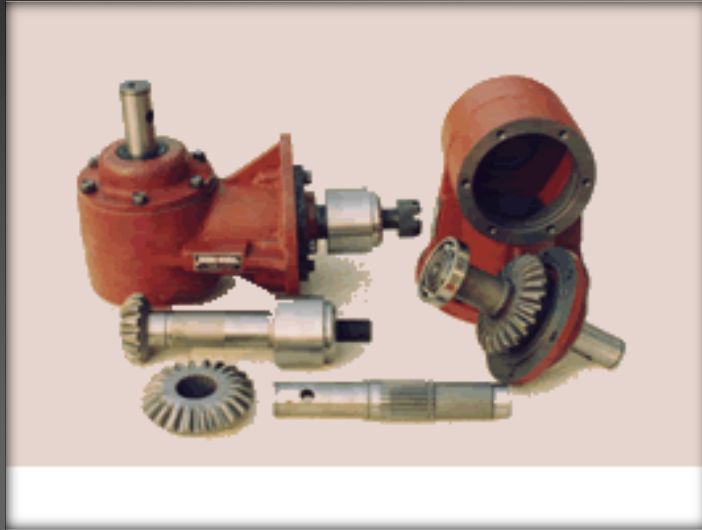
Miscellaneous Gearboxes





Miscellaneous Gears and Pinions





Bevel Gearbox for Rotary Mower





Post Hole Digger Gearbox





ATV Gearbox





Oilfield Gearbox





Worm Gearbox





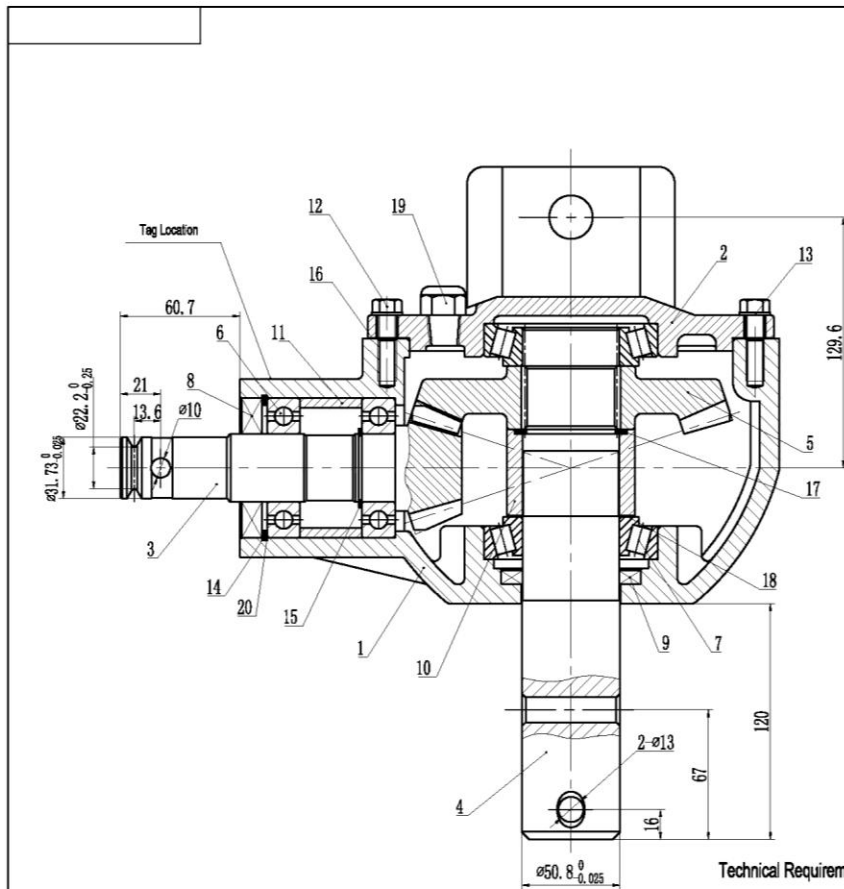
Gear Differential





Aluminum Gearbox for Spreader Application





Technical Requirements

1. Paint anti-corrosive primer, and black top-coat.
2. Noise <80 dB.

20		Adjusting Shim	1	Q235	0.05-0.45
19		Hex Solid Plug	2		Z1/2
18		Adjusting Plug	1	Q235	0-0.25
17		Elastic Retainer Ring	1	65Min	Need To Be Ordered
16		Paper Washer	1	Need To Be Ordered	0.03-0.7
15		Snap Ring	1	65Min	ø35×1.5
14		Snap Ring	1	65Min	ø72×2.5
13		Spring Shim	8		ø10
12	⊙	Bolt	8		M10 Length 30
11		Bushing	1	Q235	
10		Interstage Bushing	1	Q235	
9		Hollow Seal	1	Rubber	ø50×ø72×7
8		Hollow Seal	1	Rubber	ø35×ø72×10
7		Taper Roller Bearing	2 sets		30210
6		Deep Groove Ball Bearing	2		6207
5		Wheel Gear	1	20Cr	MinT1
4		Spine Output Shaft	1	40Cr	
3		Gear Shaft	1	20Cr	MinT1
2		Housing Cap	1	HT250	
1		Housing	1	QT250	
No.	Code No.	Part Description	Qty	Material	Notes
Checked By		General Assembly Drawing		Scale	1:1.5
Approved		Of Gearbox		Ratio	3:1
REV. 02					

Right Angle Gearbox Drawing



Machining Capability



Korea Doosan Infracore China High Speed Turning CNC

Control: Fanuc i series
X-Axis: 280mm
Z-Axis: 450mm





OKUMA MX60HB HORIZONTAL MACHINING CENTER

Control:	4100M
Table:	2 - 24.8"X 24.8"
X-Axis:	830mm
Y-Axis:	800mm
Z-Axis:	800mm
Tools:	40 Cat #50



Shinri Vertical CNC

Control:	Fanuciserios-MC
Work table length:	1.2meter *550mm
X-Axis:	1000mm
Y-Axis:	550mm
Z-Axis:	600mm



Youjia Vertical CNC

Control:	Fanuciseriosoi-MB
Work table length:	1meter *550mm
X-Axis:	1000mm
Y-Axis:	500mm
Z-Axis:	500mm



Hangjiang Worm Grinding CNC

Control:

Work capability for;
Grind thread numbers:

Grind for thread cut:

Max work length
Center height
Max grinding DIA
Min grinding DIA

SIEMENS 802C

ZA, ZK, ZI types of worm shaft
1.2.3.4.6.8.10.12

Module thread cut 1-12

Metric thread cut 1-24mm

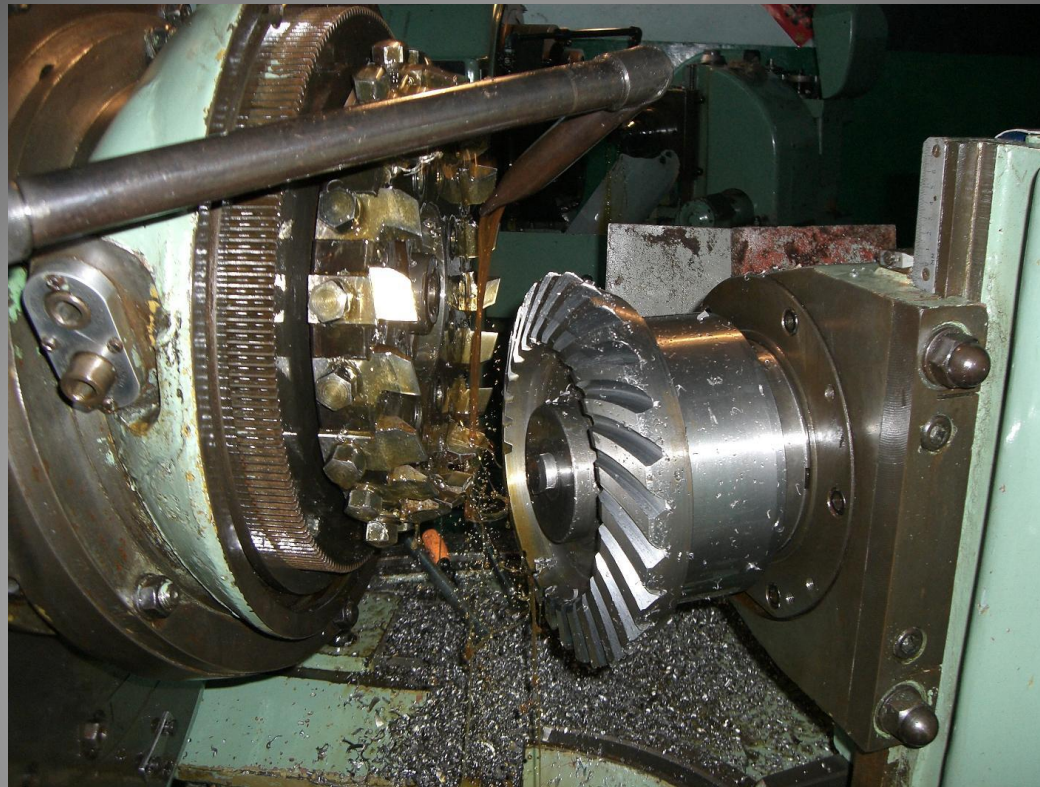
Inch thread cut 3-28NPT/TPI

500mm

120mm

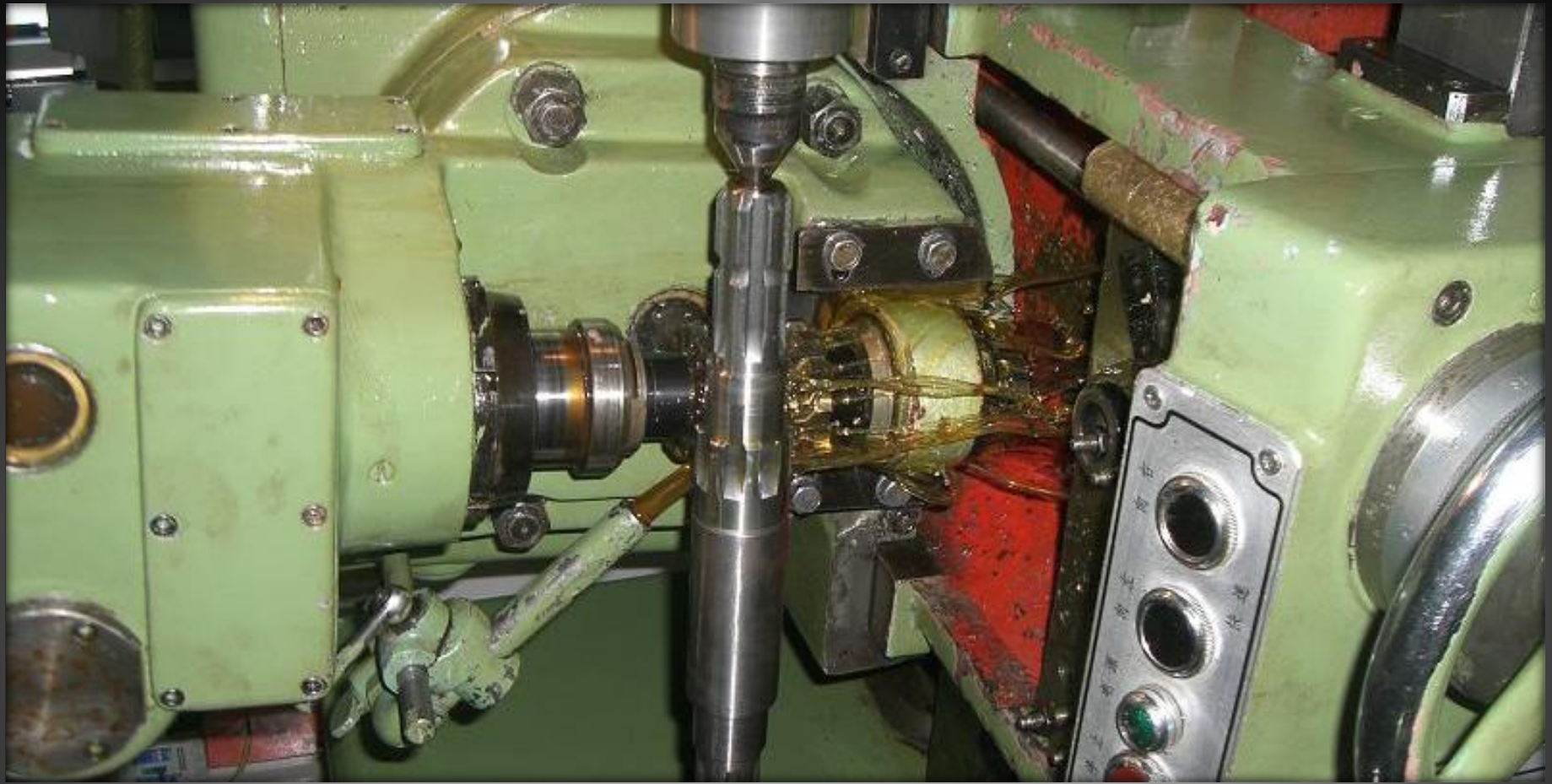
200mm

10mm



Gear Cutting Machine





Spline Hobber



Inspection Capabilities

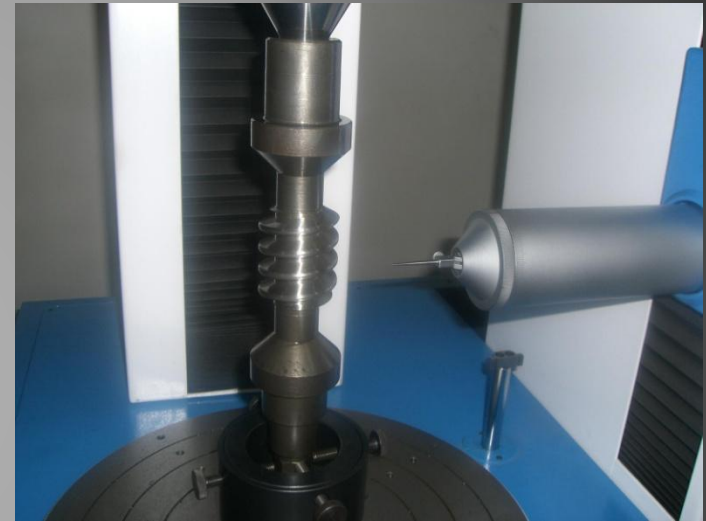


BROWN & SHARPE VALIDATOR EXCEL COORDINATE MEASURING MACHINE

Global classic 575 Coordinate Measuring Machine
PC-DIMIS PRO DCC Software System

Work Cap: X-Axis 27"
 Y-Axis 40"
 Z-Axis 24"

Volumetric
Accuracy: .0045/20"
Repeatability: .0001



HARBIN JINGDA MEASURING INSTRUMENTS GEAR INSPECTION CENTER

Inspect capability: spur gear: Gear profile($F\alpha$ 、 $ff\alpha$ 、 fha 、 $C\alpha$)、 Gear lead($F\beta$ 、 $ff\beta$ 、 $fH\beta$ 、 $C\beta$)、 Gear distance(Fp 、 fp 、 Fr)、 Worm gear,Worm shaft,Spiral gear

Inspected gear modular: 1-20

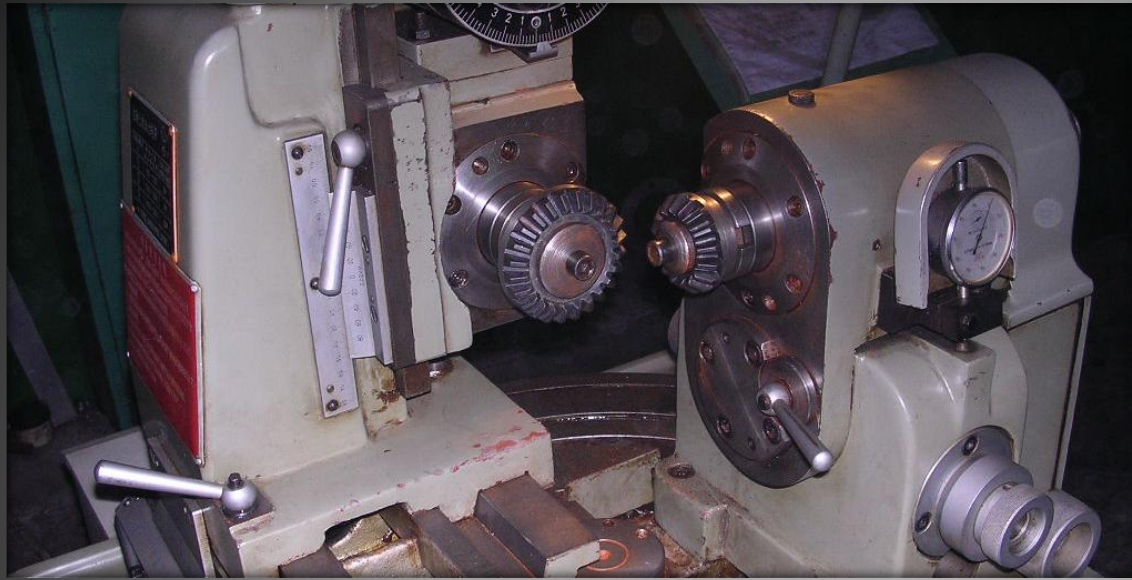
Inspected max OD :500mm

Distance between centres : 10-1000mm

Vertical survey max travel route: 380mm

Inspected angle: 0-90 degree

Inspected max weight: 300kg



Contact Pattern Inspection Machine





Hardness Tester >>



Worm Gear Match Testing

